

## 1419 [GU10]

Name: Dot Accord Pendant 1419  
 Collection: Dot  
 Application: Pendant  
 Construction: Natural Wood Veneer, MDF and Carbon Steel

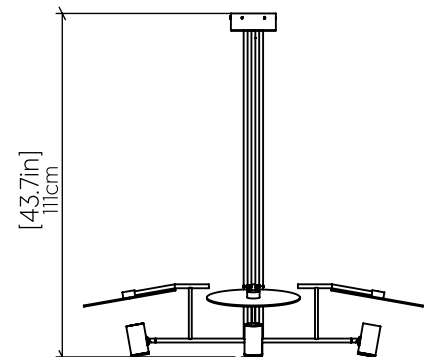
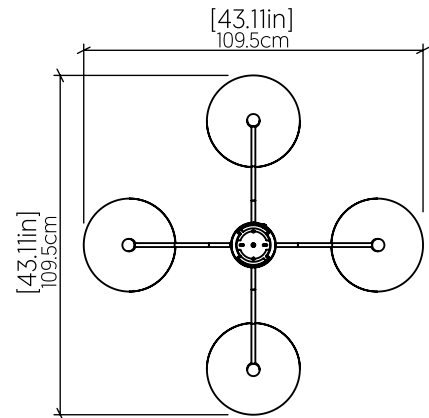
### Specifications

Light Source: 4x GU10 6W 120V-240V  
 Driver Location: N/A  
 Color Temperature: Lamp Dependent  
 Dimming Option: Lamp Dependent  
 CRI: Lamp Dependent  
 Delivered Lumens: Lamp Dependent  
 Total Power: Lamp Dependent  
 Input Voltage: 120V-240V  
 Input Frequency: 60 Hz  
 Canopy Dimension: H6.5cm Ø18cm / H2.56" Ø7.09"  
 Height Adjustment Limit: N/A  
 Weight: N/A  
 Standard: Black Lacquer painted metal and spot

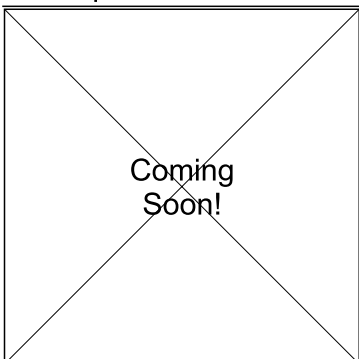
### Fixture Image



### Technical Drawing



### Photometric Graph



### Standards

