



Specifier: _____ Date: _____

Project name: _____

Project location: _____

1294LED (LED)

Name: Frame Accord Pendant 1294 LED
 Collection: Frame
 Application: Pendant
 Construction: Natural Wood Venner, MDF and Acrylic

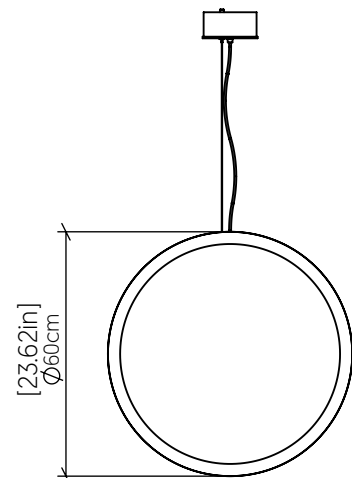
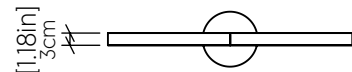
Fixture Image



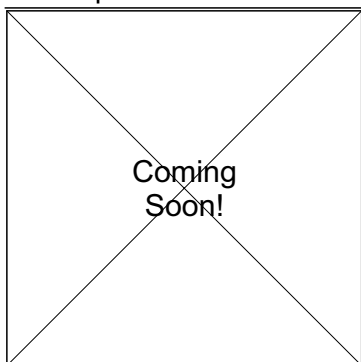
Specifications

Light Source:	Integrated LED Module
Driver Location:	Canopy
Color Temperature:	3000K, 3500K or 4000K
Dimming Option:	0-10V OR ELV/TRIAC
CRI:	90
Delivered Lumens:	1482 lm
Total Power:	16 W
Input Voltage:	120V-277V
Input Frequency:	60 Hz
Canopy Dimension:	N/A
Height Adjustment Limit:	10'
Weight:	N/A

Technical Drawing



Photometric Graph



Standards

