

Specifier: _____ Date: _____

Project name: _____

Project location: _____

1349LED (LED)

Name: Cylindrical Accord Pendant 1349 LED
Collection: Cylindrical
Application: Pendant
Construction: Natural Wood Venner, MDF and Acrylic

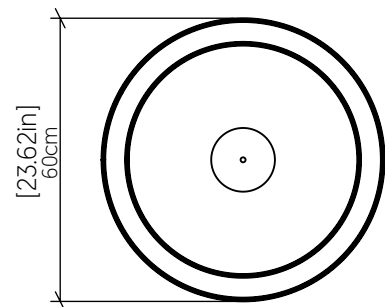
Specifications

Light Source:	Integrated LED Module
Driver Location:	Canopy
Color Temperature:	3000K, 3500K or 4000K
Dimming Option:	0-10V OR ELV/TRIAC
CRI:	90
Delivered Lumens:	820 lm
Total Power:	23 W
Input Voltage:	120V-277V
Input Frequency:	60 Hz
Canopy Dimension:	N/A
Height Adjustment Limit:	10'
Weight:	N/A

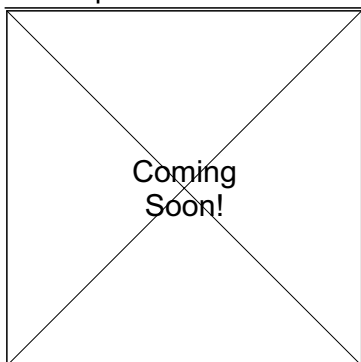
Fixture Image



Technical Drawing



Photometric Graph



Standards

