

1544 [E26]

Name: Strap Accord Pendant 1544
 Collection: Strap
 Application: Pendant
 Construction: Natural Wood Veneer, MDF,
 Leather Strap, Frosted Glass

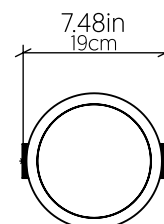
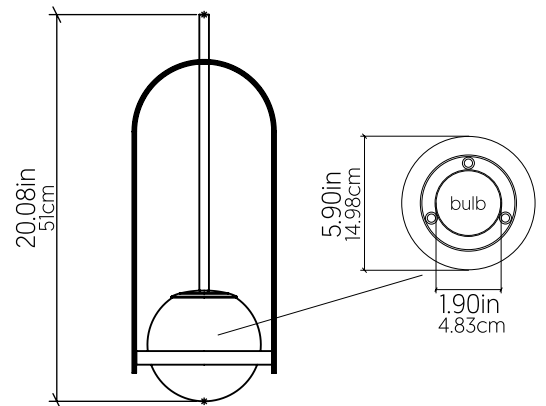
Specifications

Light Source: 1X 25W 120V-240V E26
 Driver Location: N/A
 Color Temperature: Lamp Dependent
 Dimming Option: Lamp Dependent
 CRI: Lamp Dependent
 Delivered Lumens: Lamp Dependent
 Total Power: Lamp Dependent
 Input Voltage: 120V - 240V
 Input Frequency: 60 Hz
 Canopy Dimension: H0.8cm Ø13,5cm / H0.31" Ø5.31"
 Height Adjustment Limit: 10'
 Lamp Type: E26- A15 [1.9" diameter]
 Standard: Metal rod in Matte Black

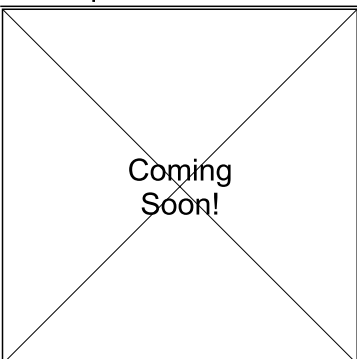
Fixture Image



Technical Drawing



Photometric Graph



Standards

